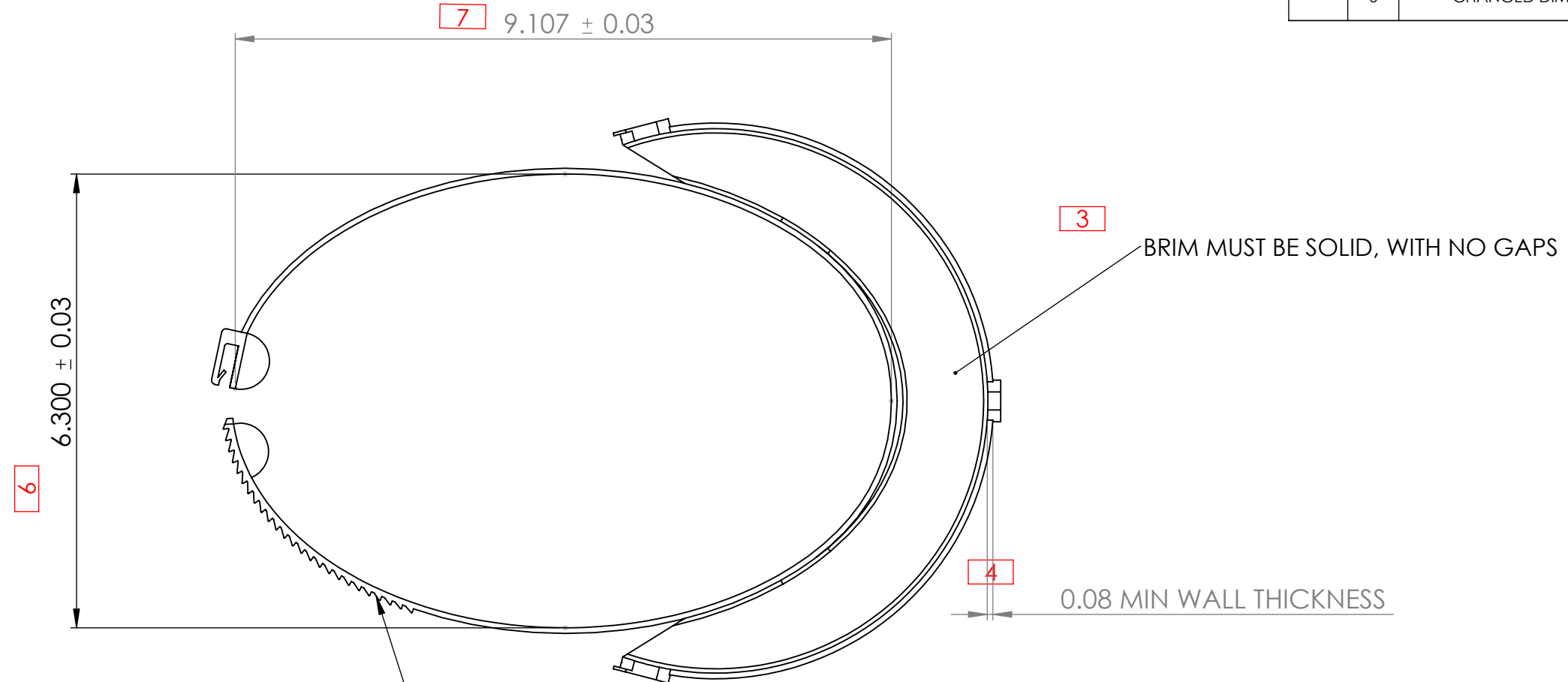
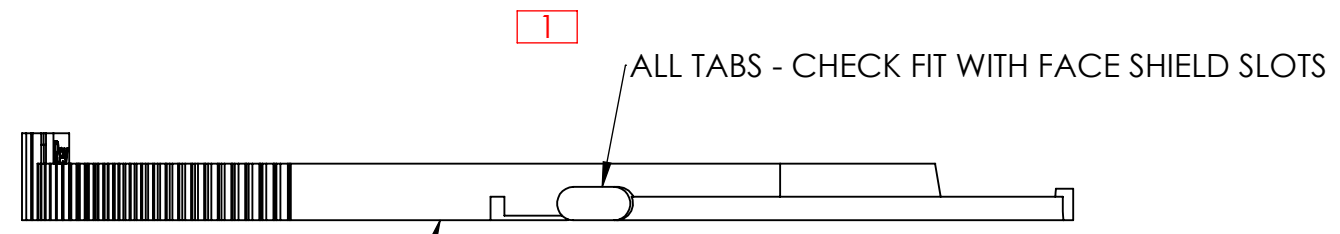


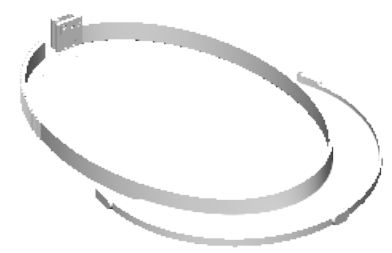
REVISIONS				
ZONE	REV.	DESCRIPTION	DATE	APPROVED
	6	CHANGED DIMS	4/3/2020	HL



5 CHECK RATCHETING STRAP CAN BE ADJUSTED AND WILL HOLD POSITION



2 \square 0.03



UNLESS OTHERWISE SPECIFIED:		NAME	DATE	re:3D, Inc.	
DIMENSIONS ARE IN INCHES		DRAWN	HL	4/13/2020	TITLE:
TOLERANCES:		CHECKED	PENDING		re:3D TXC FACE SHIELD
TWO PLACE DECIMAL ±0.01		APPROVED	PENDING		PRT REV
THREE PLACE DECIMAL ±0.005		While re:3D reserves the right to control access to design documents, especially pertaining to those under development, we are committed to transparency towards our users. Inquiries may be sent to engineering@re3d.org . Please share your modifications on our community forum at https://support.re3d.org/hc/en-us/community/topics .			10
HOLES ARE THROUGH HOLES		DRAWING TYPE: INSPECTION			DWGREV
QTY PER BOT	N/A	SCALE: 1:2			2
MADE FROM:		THIRD ANGLE PROJECTION			
STOCK	N/A	SHEET 1 OF 1			
UNFINISHED PN	N/A				
VENDOR PN	N/A				
PART TYPE	PRINTED				
MATERIAL	PETG				
FINISH	N/A				
DO NOT SCALE DRAWING					